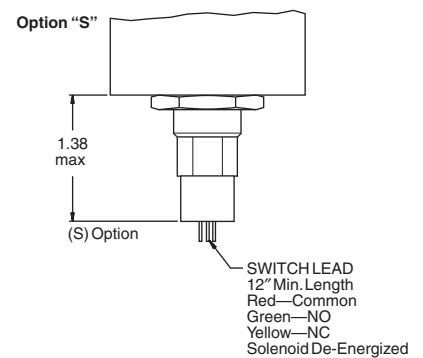
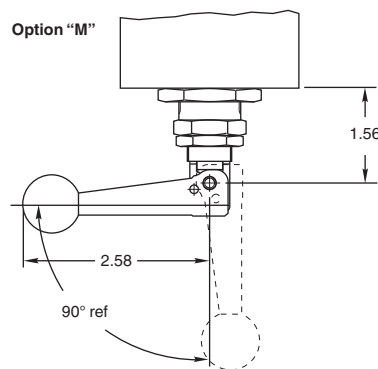
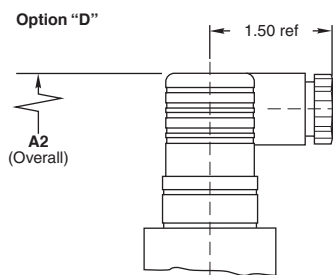
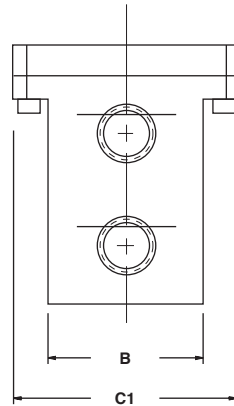
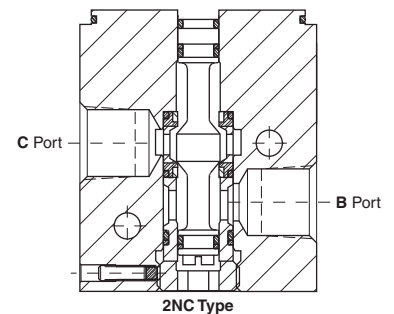
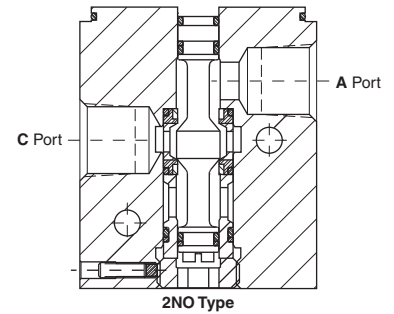
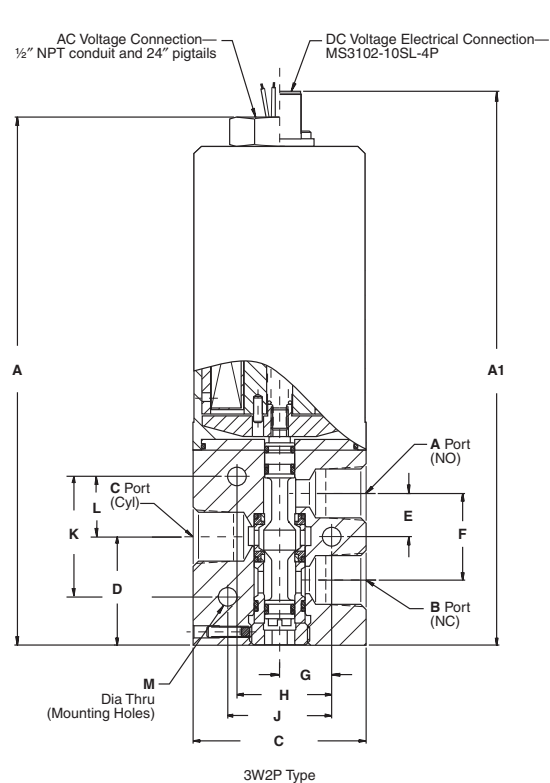


# SV Series

## Dimensions (Inches): SV10–SV30 Series

VALVE SIZE	A	A1	A2	B	C	C1	D	E	F	G	H	J	K	L	M
SV10–17	5.24	5.79	6.75	1.00	1.62	1.62	1.07	0.45	0.90	0.62	0.94	—	—	0.45	0.173 (2 holes)
SV20–27	5.97	6.52	7.46	1.00	2.00	2.00	1.04	0.46	0.95	0.46	0.92	0.92	0.95	0.46	0.218 (3 holes)
SV30–37	6.95	7.50	8.45 (DC Valves)	1.31	2.00	2.00	1.70	0.62	1.26	0.75	1.22	1.38	1.25	0.60	0.280 (3 holes)
			8.80 (AC Valves)		2.25	2.00									



## Basic Specifications: SV10–SV30 Series

<b>PROOF PRESSURE</b>	SV10 & SV30 Series: 6000 psig SV20 Series: 12,000 psig
<b>TEMPERATURE RANGE</b>	–65° F to +165° F (–54° C to +74° C)
<b>LEAKAGE INTERNAL/EXTERNAL</b>	Bubble-tight
<b>FLUID MEDIA</b>	Gases: air, nitrogen, oxygen, helium (stainless steel only) Liquids: lubricants, water, hydraulic fluids, hydrocarbon fuels
<b>FLOW CAPACITY</b>	SV10 & SV20 Series: Cv = 0.096 (Equivalent Sharp Edge Orifice Diameter (ESEOD) = 0.074") SV30 Series: Cv = 0.46 (Equivalent Sharp Edge Orifice Diameter (ESEOD) = 0.16")
<b>TRIM</b>	300 series stainless steel
<b>DUTY</b>	Continuous
<b>WEIGHT (APPROXIMATELY)</b>	Aluminum: SV10 = 1.5 lbs; SV20 = 2.3 lbs; SV30 = 2.6 lbs Stainless steel: SV10 = 2.0 lbs; SV20 = 3.0 lbs; SV30 = 3.8 lbs